

## EEEQ124-Engineering Graphics B. CAT Two

**Deadline: 22<sup>nd</sup> March 2024, Time: 1.00pm**

Q1) Using AutoCAD drafting tools, draw the objects in Figures 1 and 2. Indicate clearly the dimensions. Set drawings in different layouts on an A1 drawing paper setting, in Landscape. Include a title block which should capture your name, registration number, drawing name, and other typical title block sections. Print the layouts to PDF. Rename the PDF as “CAT 2-Your Name & Registration Number”

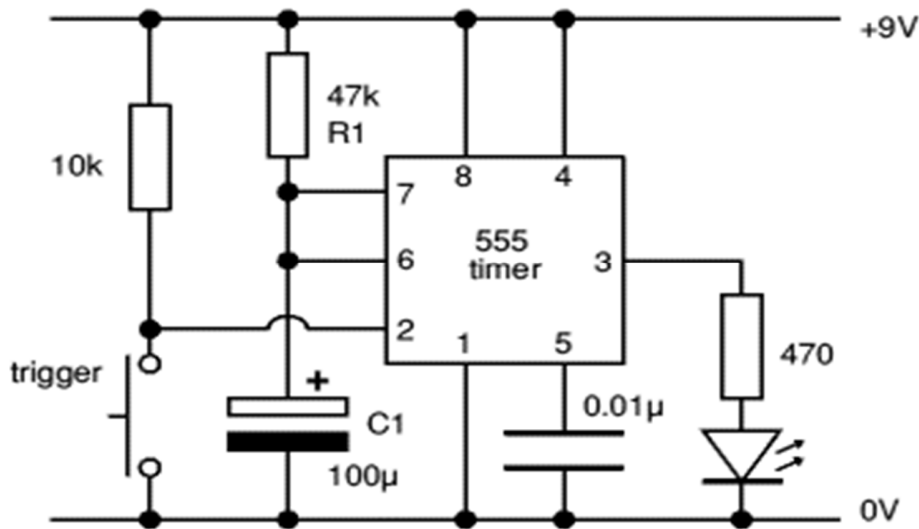


Figure 1

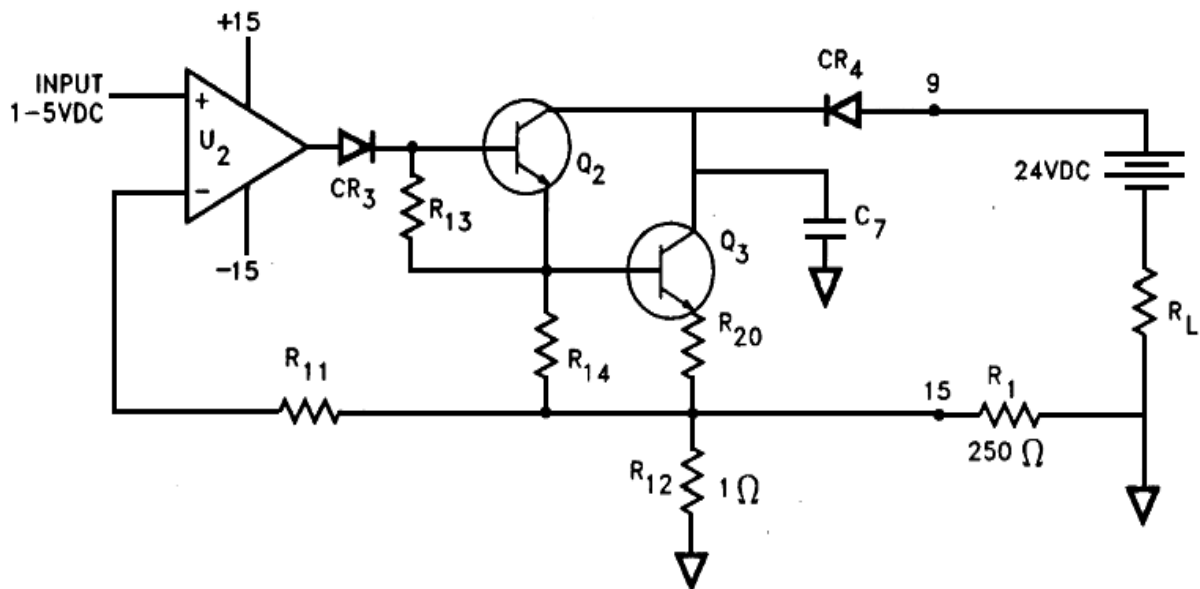


Figure 2