

EEEQ124-Engineering Graphics Assignment No.3.

Due Date: 31st March 2024

Q1) Using AutoCAD drafting tools, draw the objects in Figures 1, 2 and 3. Indicate clearly the dimensions. Set drawings in different layouts on an A1 drawing paper setting, in Landscape. Include a title block which should capture your name, registration number, drawing name, scale and other typical title block sections. Use batch plot command to print all the layouts to one single PDF file and share through the email address/link shared. Rename the PDF as “Assignment 3-Your Name & Registration Number”

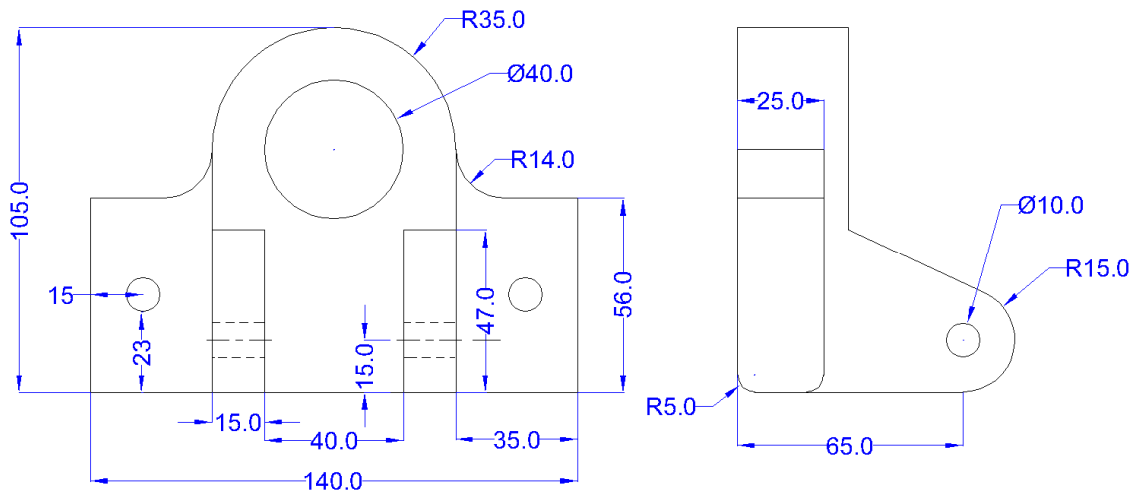


Figure 1

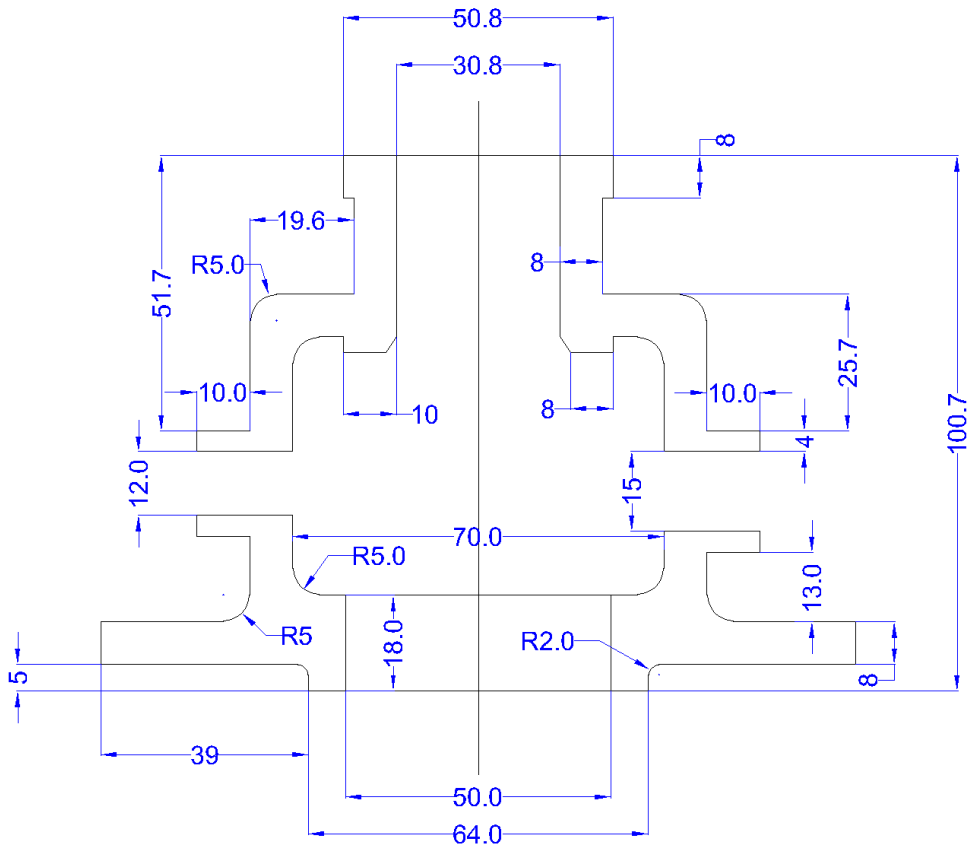


Figure 2

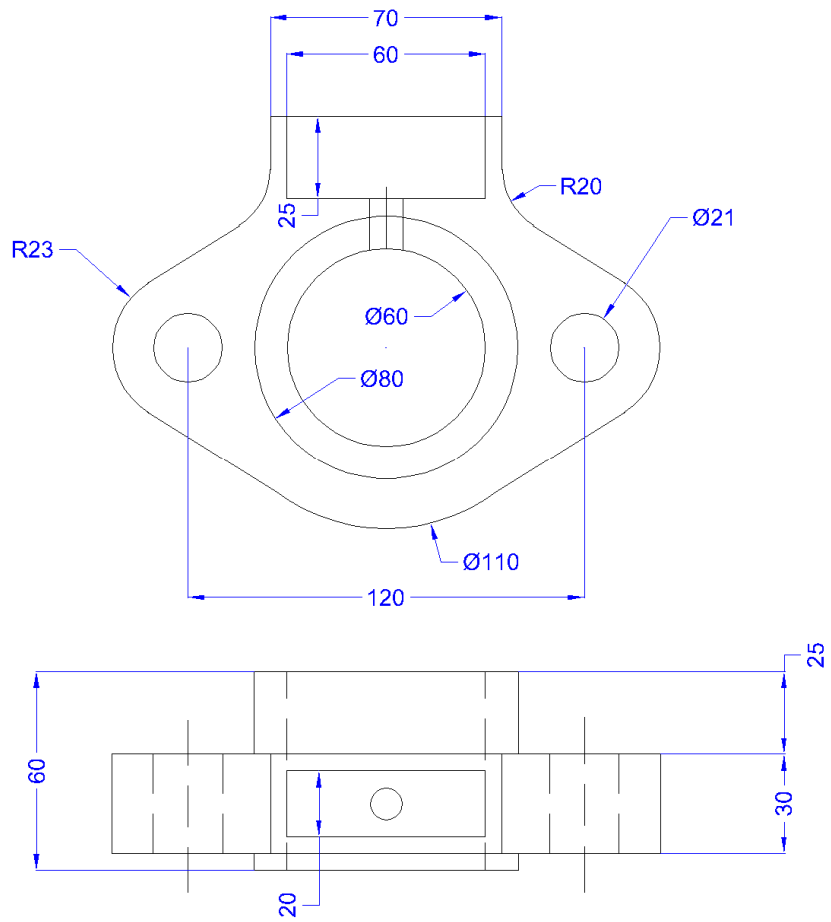


Figure 3